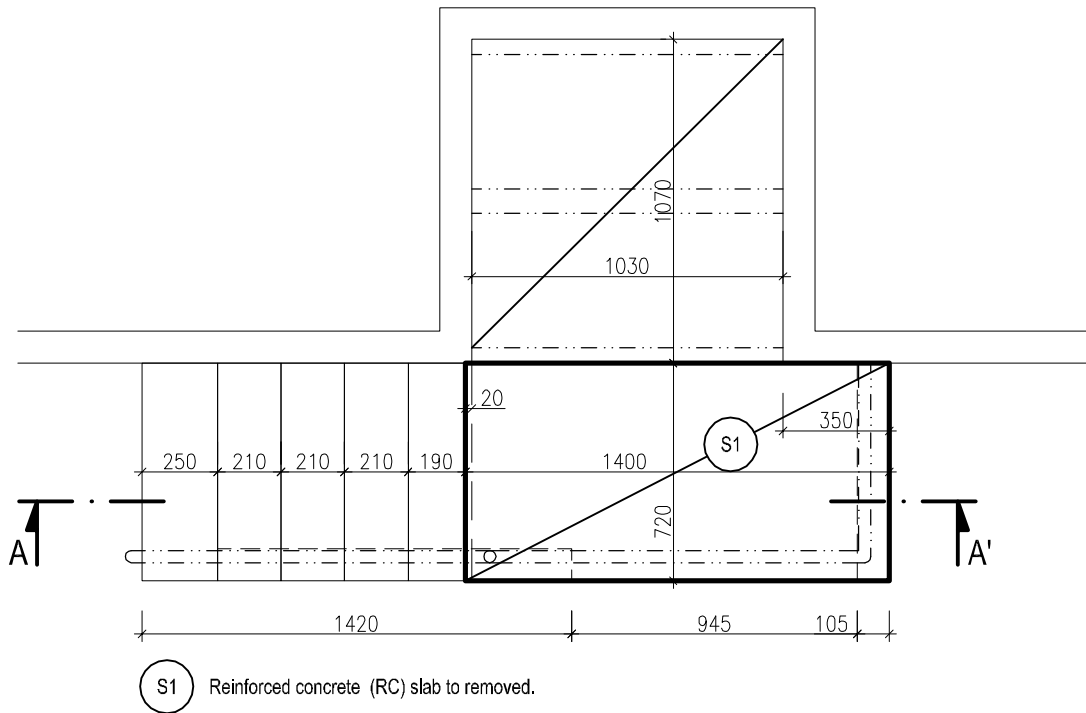
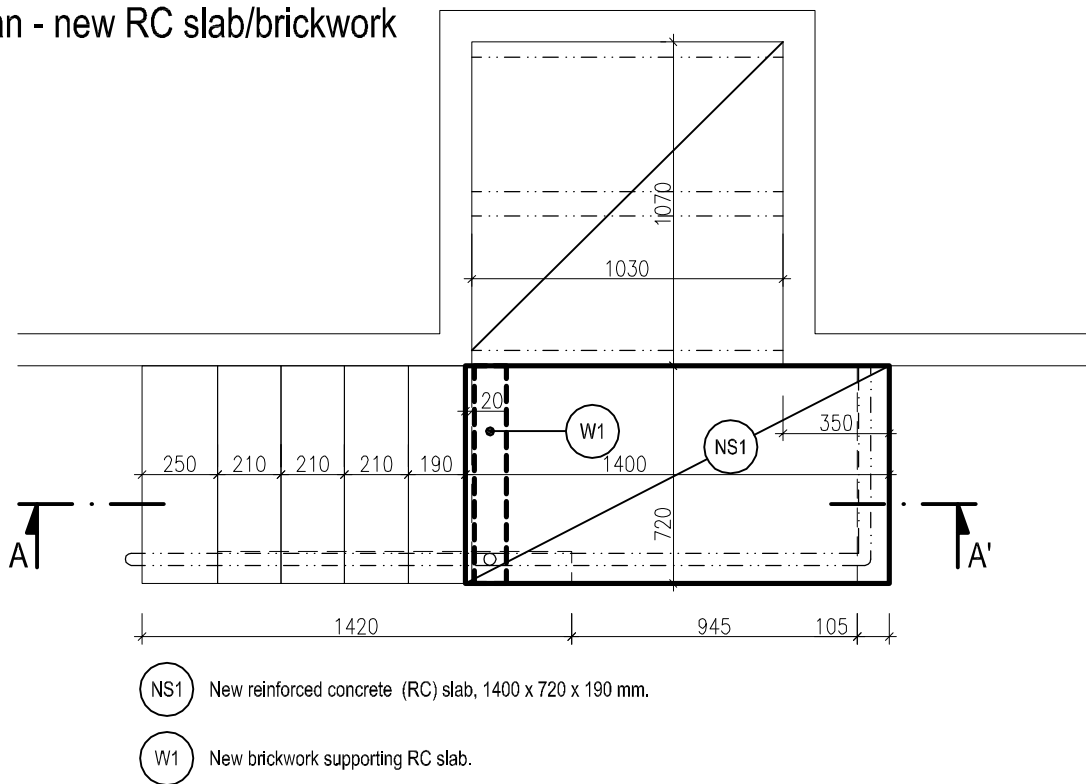


Plan - existing staircase



Plan - new RC slab/brickwork



Client:
Toni Cushman
21 Elmcroft Ave., Wansted, London

PROJECT	SCALE	DATE	#/M	PAGE NUMBER	DUPL.
-	1 : 25	02/2009	1xM	1	